
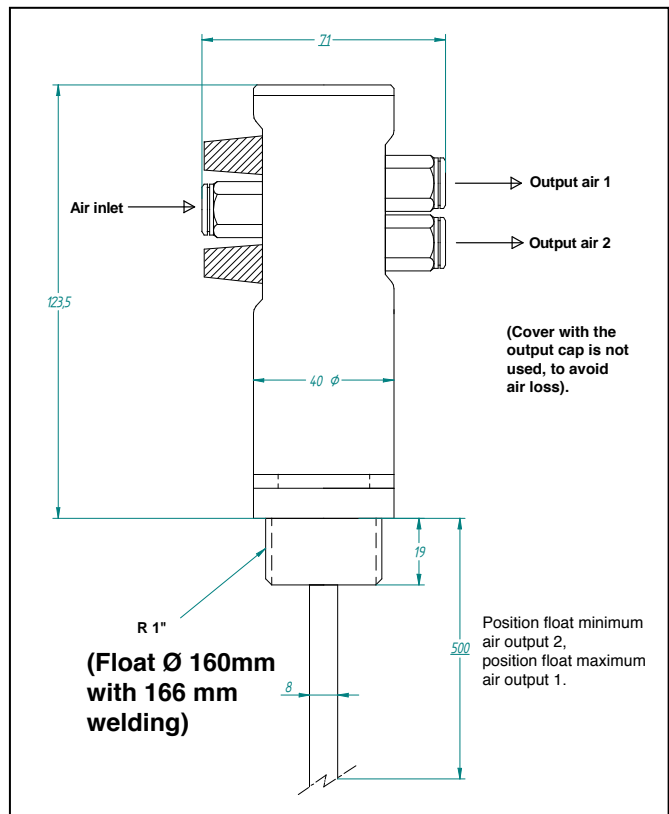




# PNEUMATIC LEVEL SWITCH



- Vertical pneumatic level with opening and closing instant (adjustable level).
- Mechanical operation (**no electronics.**)
- Max graduation level. and min.
- Body stainless steel AISI-304.
- Parts in contact with the fluid in the tank, made of stainless steel (AISI-316).
- Screw anchor 1 "or (flange connection).
- Air hose connections 1/8 "x 8 m.
- Standard length 500 mm. (Other lengths on request).
- Float stainless steel od 160 mm (possibility of other diameters).
- Working pressure Min. 2 bar.
- Max. work: 6 bar.
-  II 2GD c T6



**GENWEC WASHROOM, S.L.**  
**VALVULAS CT**  
 Rda. Shimizu, nº2 nave 4 Pol. Ind. Can Torrella.  
 08233 Vacarisses  
 Barcelona (España)